

Slimline SL Single Face Self Luminous Exit Sign

## Installation Instructions – Wall Mount, End or Ceiling Mount

**SAVE THESE INSTRUCTIONS** - *Removal instructions are included on this sheet and need to be followed at that time.*

### Wall Mounting Instructions

Position the flat side of the wall-mounting bracket against the wall with the locking hook facing upwards, as shown in the drawing. Position the drill holes for the bracket 3" / 75 mm above where you want the bottom edge of the sign to be located. Make sure that the wall bracket is mounted level. A minimum of 1/2" / 12 mm clearance is required above the sign for installation.

**Note:** It is important that the wall-mounting bracket be securely mounted flush to the wall. Brackets mounted to drywall **MUST** be securely mounted with the supplied wall plugs and screws. The wall plugs must be recessed into the wall slightly to allow the bracket to mount tight to the wall. Drill 2 – 7/32" / 5.5 mm (preferably) or 6.0 mm diameter holes by 1 3/8" / 35 mm deep for the supplied wall plugs.

Appropriate fasteners should be used to securely mount the brackets to other wall materials. The head of the fasteners must be less than 0.15" thick. Do not add a washer behind the head of the fastener, unless the fastener & washer are less than 0.15" thick. You may add additional mounting holes for increased security if desired.

Once the wall-mounting bracket has been installed, the sign needs to be set against the wall a minimum of 1/2" / 12 mm above its final position and slid down the wall until it makes contact with the wall-mounting bracket. Push the sign down an additional 3/8" / 10 mm with slight pressure until it "snaps" into place. The sign is securely installed.

### End or Ceiling Mounting Instructions

Rivet the wall bracket to the 2040-05 end / ceiling mounting bracket in the holes shown on the other side of this instruction sheet. Attach the 2040-05 bracket to the wall or ceiling. Mount the sign to the wall mount bracket by following the wall mounting instructions.

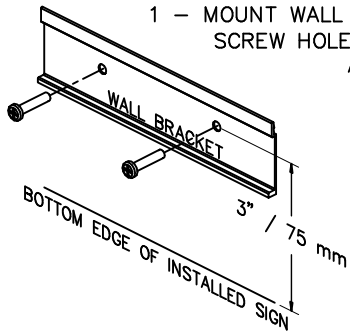
### Removal Instructions

Slide the sign sideways (either to the left or right) by pushing or tapping the frame lightly with a non-metal hammer. Pressure needs to be applied to the end of the sign at approximately 1/2" / 12 mm below the centerline of the sign. The sign will meet resistance after it has moved approximately 3" / 75 mm. The back edge of the sign has made contact with the end of the wall-mounting bracket. Pull the end of the sign you are pushing 1/8" / 3 mm away from the wall. **CAUTION: The sign will release from the wall without warning and needs to be held securely while continuing to slide the sign sideways.** Continue to slide the sign another 3" / 75 mm in the same direction to completely release it from the wall.

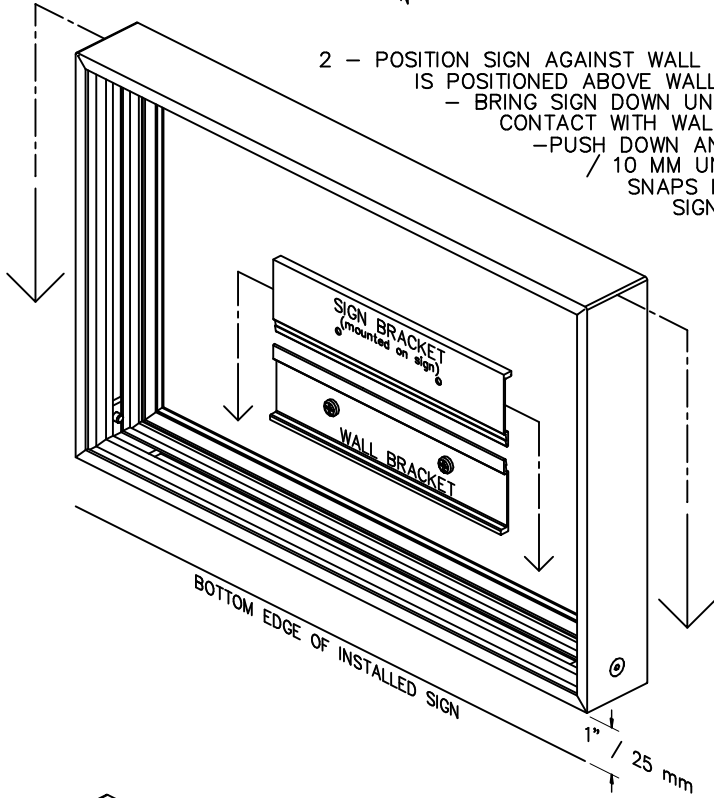
**NOTE: GRAPHIC INSTRUCTIONS ARE ON BACK OF THIS PAGE**

## WALL MOUNT

- 1 - MOUNT WALL BRACKET WITH  
SCREW HOLES 3" / 75 MM  
ABOVE BOTTOM  
EDGE OF SIGN

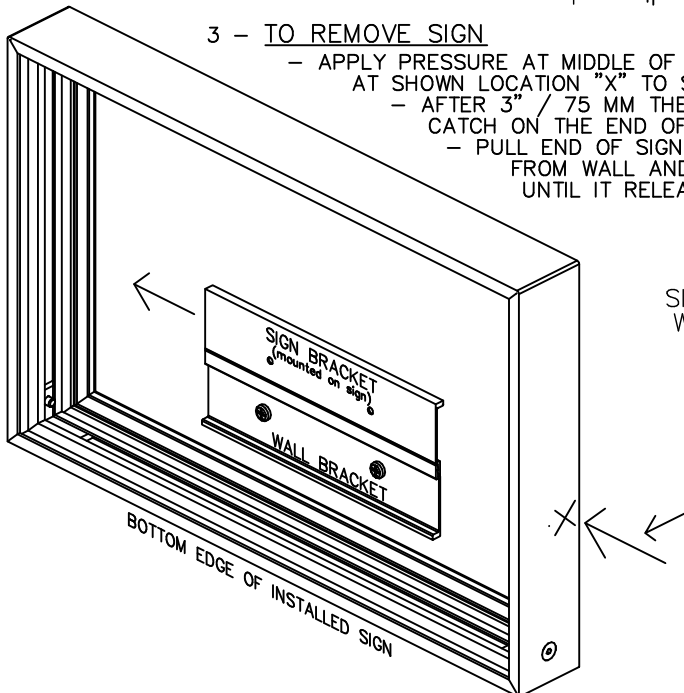


- 2 - POSITION SIGN AGAINST WALL SO SIGN BRACKET  
IS POSITIONED ABOVE WALL BRACKET  
- BRING SIGN DOWN UNTIL IT MAKES  
CONTACT WITH WALL BRACKET  
- PUSH DOWN ANOTHER 3/8"  
/ 10 MM UNTIL THE SIGN  
SNAPS INTO POSITION.  
SIGN IS INSTALLED



### 3 - TO REMOVE SIGN

- APPLY PRESSURE AT MIDDLE OF EITHER END OF SIGN  
AT SHOWN LOCATION "X" TO SLIDE SIGN SIDWAYS  
- AFTER 3" / 75 MM THE BACK OF SIGN WILL  
CATCH ON THE END OF THE WALL BRACKET  
- PULL END OF SIGN 1/8" / 3 MM AWAY  
FROM WALL AND CONTINUE TO SLIDE  
UNTIL IT RELEASES FROM THE WALL

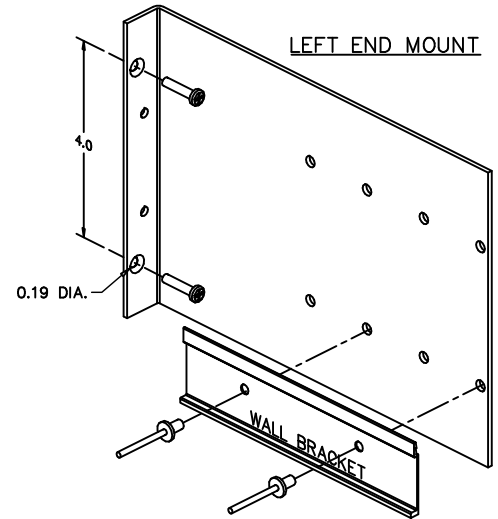


**CAUTION**  
SIGN WILL RELEASE  
WITHOUT WARNING

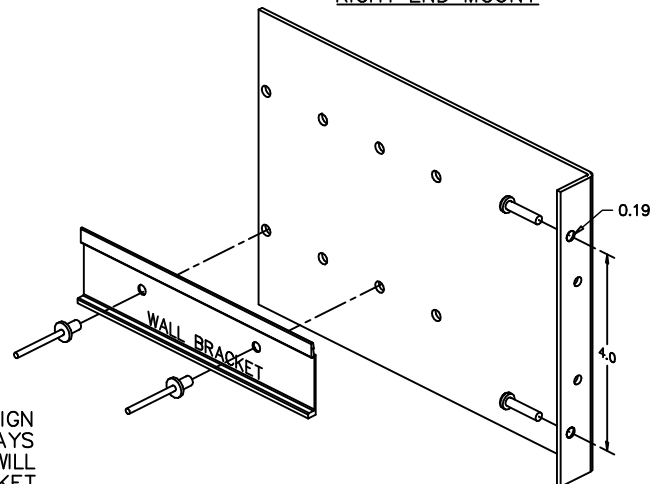
NOTE: BODY  
OF SIGN HAS BEEN  
REMOVED FOR CLARITY

## END OR CEILING MOUNT WITH 2040-05 BRACKET

- RIVET WALL BRACKET TO 2040-05 BRACKET IN THE  
HOLES SHOWN BELOW FOR THE CHOSEN ORIENTATION  
- ATTACH 2040-05 BRACKET TO WALL OR CEILING  
- MOUNT SIGN TO WALL MOUNT BRACKET AS SHOWN  
IN THE WALL MOUNT INSTRUCTIONS



### RIGHT END MOUNT



### CEILING MOUNT

