



EVENLITE

LIFE SAFETY LIGHTING SOLUTIONS

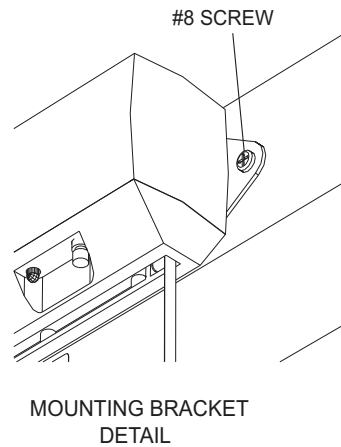
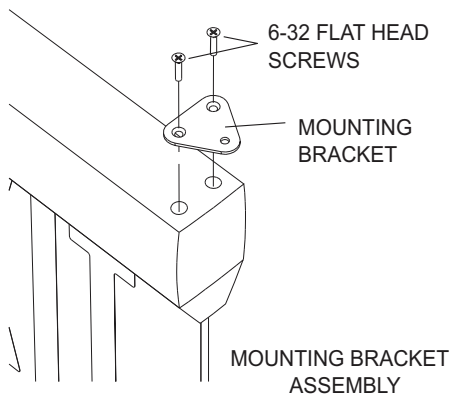
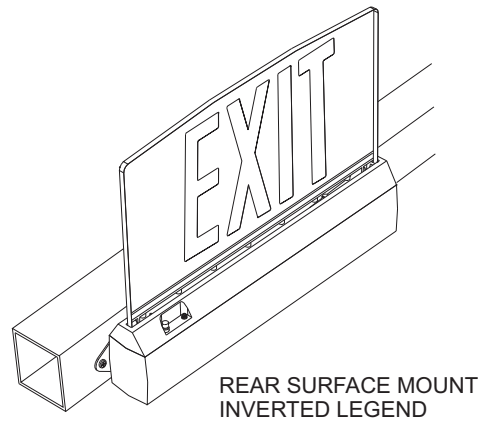
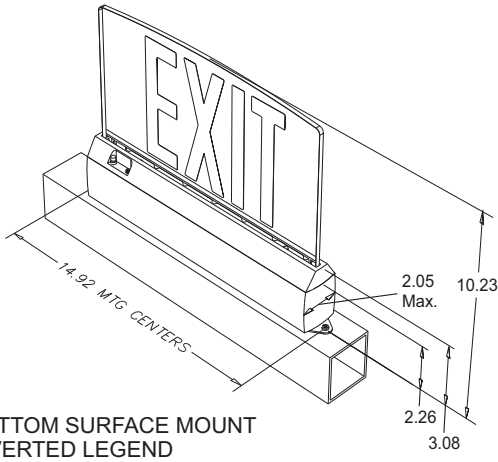
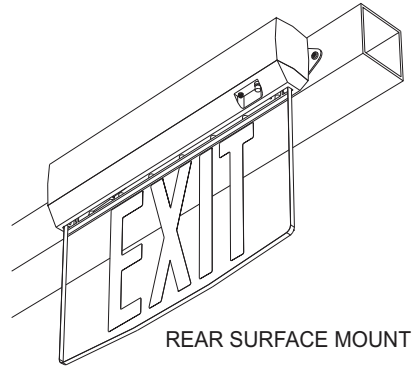
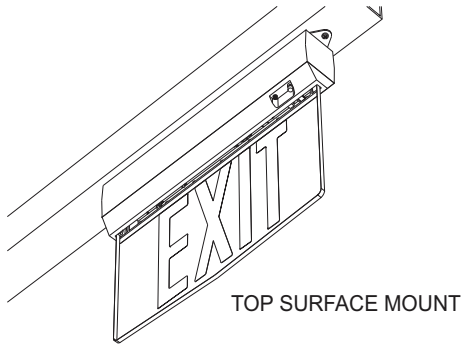
PROJECT NAME:

APPROVED BY:

CATALOG NO:

TYPE NO:

SOVEREIGN MULLION MOUNT



Example: SOV-EM-R-1C-BA-MM "Rear Surface Mount Inverted Legend"

Fill in fields from categories above and complete type and part number.

Type Number:

Full Part Number:

SOVEREIGN-MM - 12/4/20