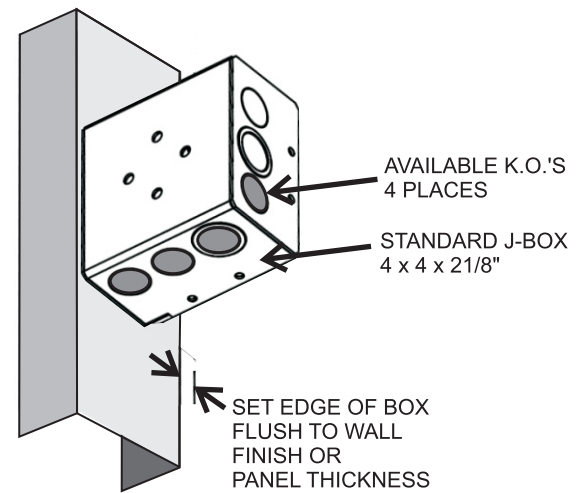
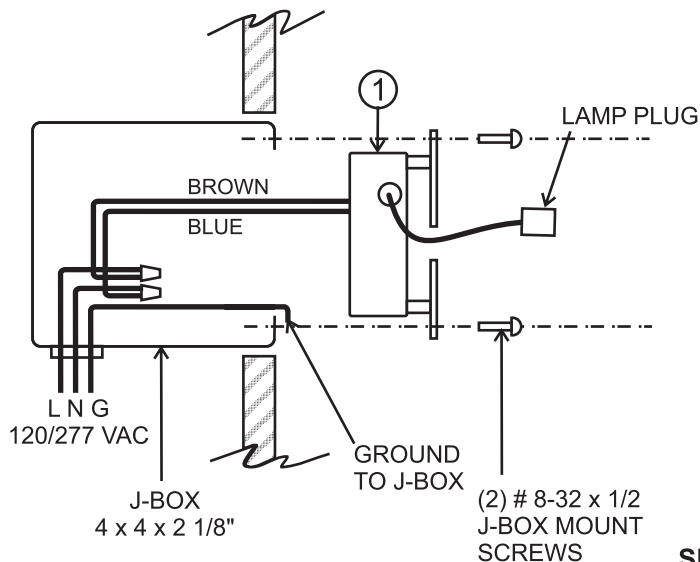


INSTALLATION INSTRUCTIONS AND OWNER'S MANUAL



SUITABLE FOR WET LOCATIONS

AMBIENT TEMPERATURE LIMITS:

Standard models: -20° C to +40° C

Remote models: -40° C to +50° C

J- Box and Supply Wiring

1. See above for available K.O.'s for wiring connectors. Select K.O.'s for AC input wiring. Install standard 4" x 4" deep j-box.

IMPORTANT: SET J-BOX ASSEMBLY TO ALIGN EDGE OF EXTENSION FLUSH OR JUST BELOW FINISH PANEL SURFACE.

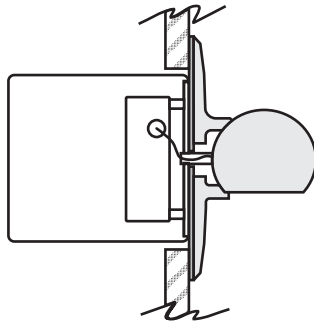
2. See above. Insert Power Supply Assembly (1) into j-box and secure with two #8-32 x 1/2" screws.

3. See above. Connect AC input wiring from power supply assembly to building supply with wire nuts, with Ground connector to j-box: BROWN: 120-277 VAC: BLUE: Neutral.

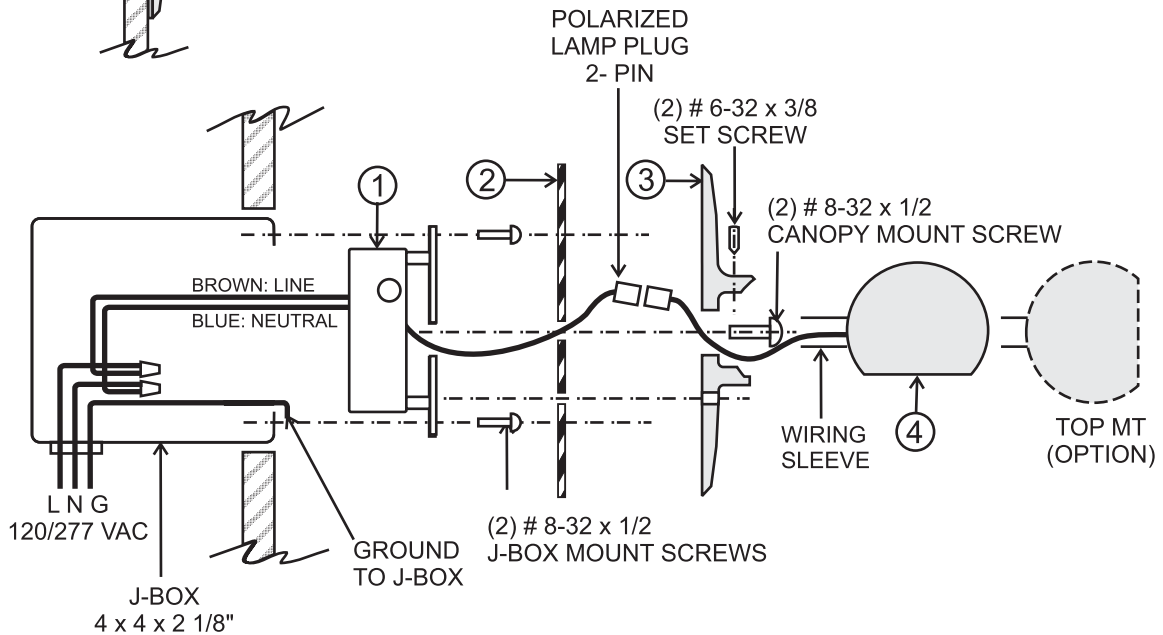
IMPORTANT SAFEGUARDS READ AND FOLLOW ALL SAFETY INSTRUCTIONS

1. Disconnect AC power before servicing.
2. Refer to wiring diagram for proper connections.
3. All servicing should be performed by qualified personnel.
4. Consult your local building code for approved wiring and installation.
5. Do not use this equipment for other than intended use.
6. Do not let power cords touch hot surfaces.
7. Mount and secure the fixture at a location and height to avoid ready access and tampering by unauthorized persons.
8. The use of accessory equipment is not recommended by the manufacturer and may cause an unsafe condition.
9. Suitable for wet locations. See product label for temperature limitations.

SAVE THESE INSTRUCTIONS

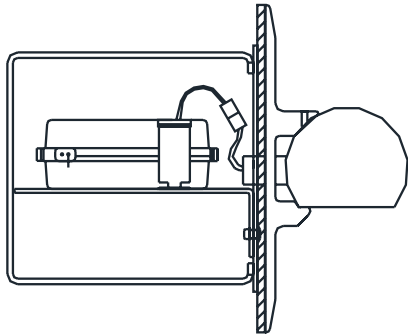


ITEM	QTY	P/N	DESCRIPTION
1	1	346600	POWER SUPPLY ASSBY
2	1	346202	GASKET
3	1	346302	CANOPY
4	1	346501	HOUSING ASSBY

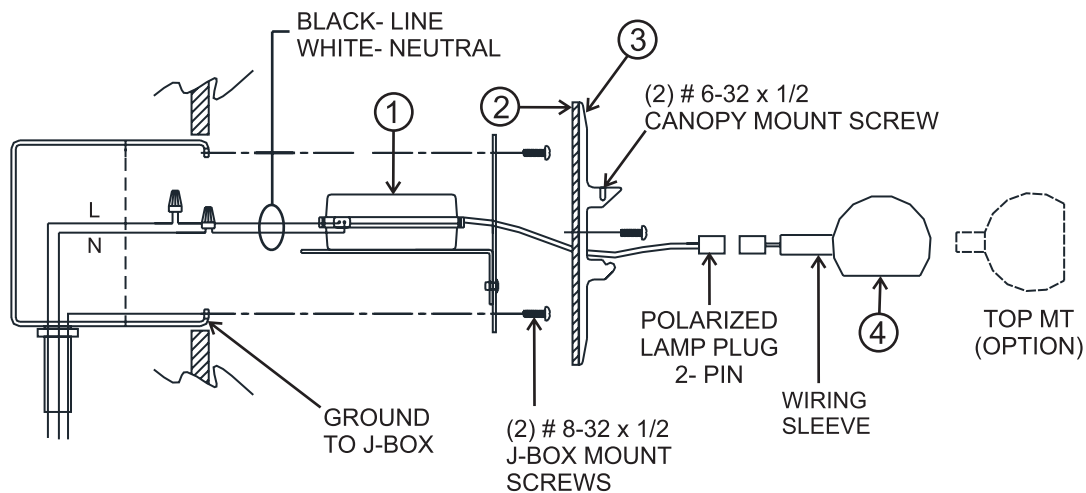


Fixture Assembly

1. Run polarized Lamp Plug from power supply through Gasket (2).
2. Route Lamp Plug through Gasket (2) and Canopy (3); locate Canopy in position. Secure with two #8-32 x 1/2" screws and tighten evenly.
3. Connect Lamp Plug from Housing (4).
4. Gently insert plug assembly and wiring sleeve through the gasket into j-box, locate Housing and Gasket in position and secure with two #6-32 x 3/8" set screws.
5. Turn on AC supply to operate.



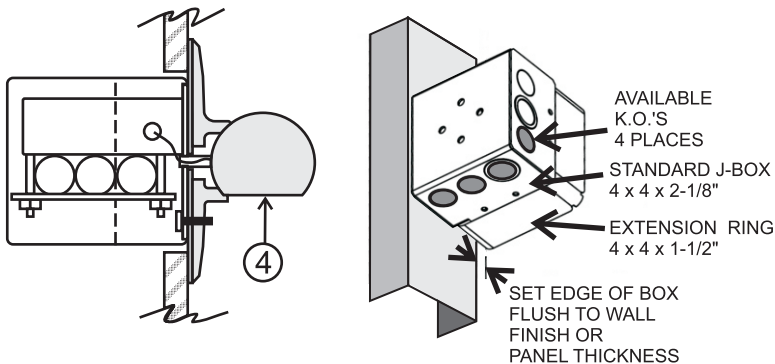
ITEM	QTY	P/N	DESCRIPTION
1	1	346600	POWER SUPPLY ASSBY
2	1	346202	GASKET
3	1	346302	CANOPY
4	1	346501	HOUSING ASSBY



Fixture Assembly

1. Loosen the (2) #6-32 set screws to release housing from Canopy.
2. Run polarized Lamp Plug from power supply through Canopy/ Gasket (2).
3. Route Lamp Plug through Canopy Assembly; locate Canopy in position. Secure with two #8-32 x 1/2" screws and tighten evenly.
4. Connect Lamp Plug from Housing (4).
5. Gently insert plug assembly and wiring sleeve through the gasket into j-box, locate Housing and Gasket in position and secure with two #6-32 x 3/8" set screws.
6. Turn on AC supply to operate.

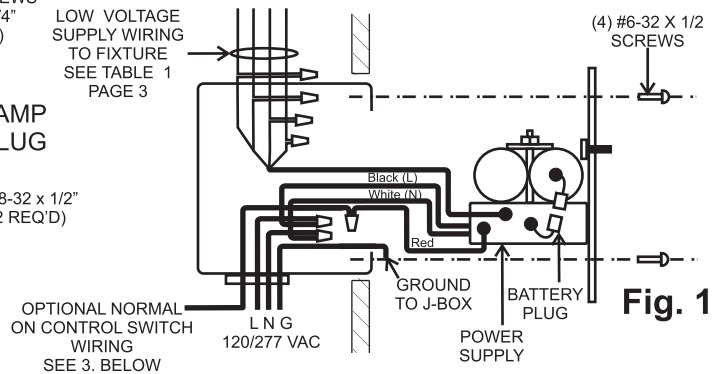
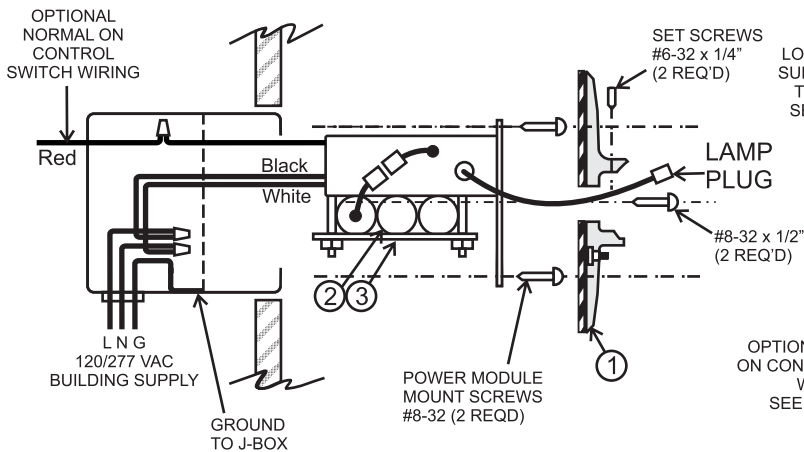
INSTALLATION INSTRUCTIONS AND OWNER'S MANUAL



ITEM	QTY	P/N	DESCRIPTION
1	1	346302	CANOPY POWER ASSBY
2	1	206110	BATTERY PACK 3.6V
3	1	206117	BATTERY PACK 4.8V
4	1	346200	LAMP HOUSING ASSBY

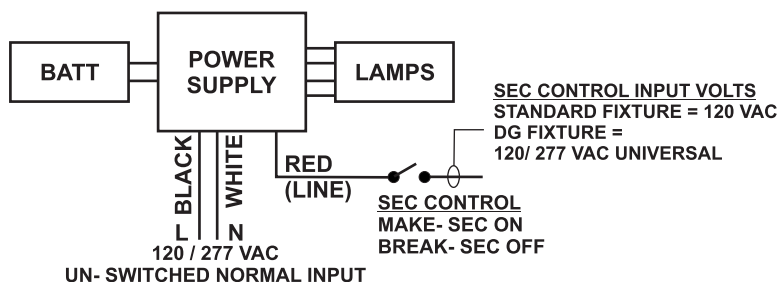
SUITABLE FOR WET LOCATIONS

AMBIENT TEMPERATURE LIMITS:
Standard "EM" models: -20° C to +40° C
High Temp "EM" models (SW): -20° C to +45° C
Remote models: -40° C to +50° C



J- Box and Supply Wiring (Standard)

1. See above. Assemble standard 4" x 4" deep j-box with 1 1/2" extension. Note available knock-outs for wiring. Remove K.O.'s in areas shown for wiring and connectors.
2. Align edge of extension flush or just below finish panel surface.
3. SECURITY LIGHTING SWITCH CONTROL (OPTION -SW)



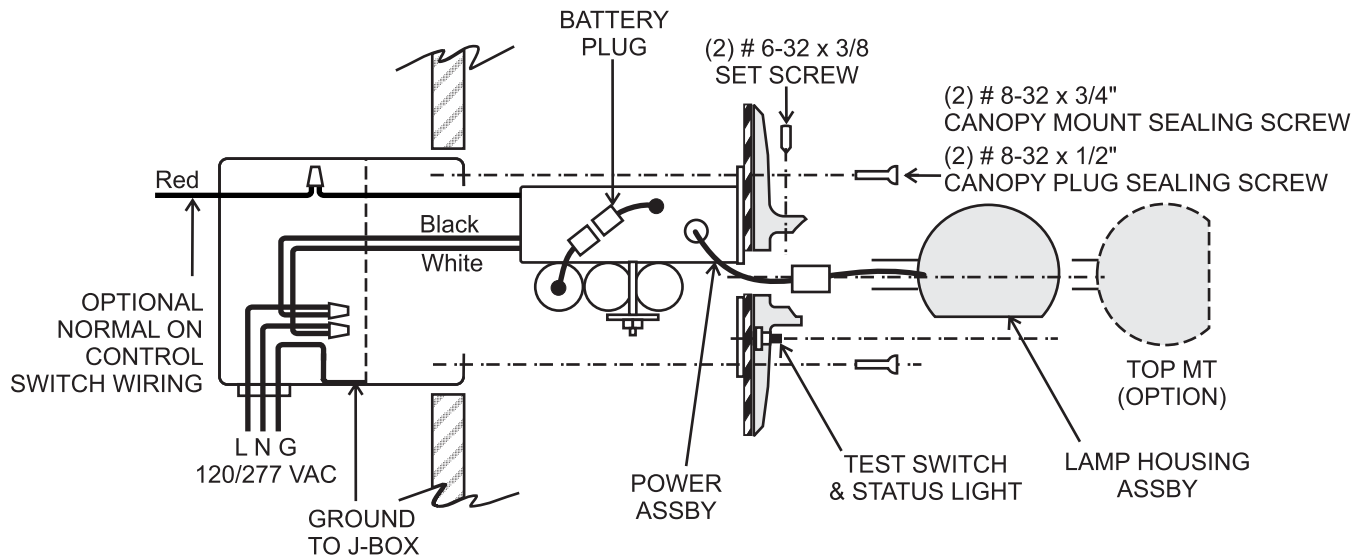
Low Temperature (-LT) Option

1. See Fig. 1. Place power supply assembly inside housing and note available knock-outs for wiring clearance. Remove suitable K.O.'s in areas with clearance for wiring and connectors. Use framing or brackets to install Masonry Box housing as shown, in a location convenient for access to battery and power supply. Align top edge flange flush with finished panel surface. See Table 1 to estimate wire size required based on maximum wiring length for low voltage output wiring from RPS to the fixture.
2. **INPUT WIRING:** Connect BLACK/WHITE AC input wiring to building supply with wire nuts, and connect GROUND to Housing with Screw mount.
3. **SECURITY LIGHTING SWITCH CONTROL (OPTION -SW)**
4. **OUTPUT LOW VOLTAGE WIRING*:** See Table 1 for minimum wire size based on distance to fixture. Example using #20 AWG, max distance is 100 ft. See Pg. 2 for detail. Route conductors from the RPS to the fixture location.
5. Connect the BATTERY plug: NOTE If AC power is OFF, the fixture will turn ON under battery power. To minimize battery discharge, turn AC power ON after fixture is connected, or disconnect battery.

IMPORTANT SAFEGUARDS READ AND FOLLOW ALL SAFETY INSTRUCTIONS

1. Disconnect AC power before servicing.
2. Refer to wiring diagram for proper connections.
3. All servicing should be performed by qualified personnel.
4. Consult your local building code for approved wiring and installation.
5. Do not use this equipment for other than intended use.
6. Do not let power cords touch hot surfaces.
7. Mount and secure the fixture at a location and height to avoid ready access and tampering by unauthorized persons.
8. The use of accessory equipment is not recommended by the manufacturer and may cause an unsafe condition.
9. Suitable for wet locations. See product label for temperature limitations.

SAVE THESE INSTRUCTIONS



Fixture Assembly

1. Note position of (2) J-Box MOUNT screws and insert (2) #8-32 x 1/2" PLUG sealing screws with nuts into Canopy at unused locations.

2. Connect power supply wiring to building supply with standard wire nuts:

BLACK: 120-277VAC:
WHITE: Neutral.

3. Connect GROUND to J-Box

4. Connect optional NORMALLY ON control switch (SW) Wiring.

5. Connect the BATTERY plug. Insert power supply assembly in position and secure to J-Box with two #8-32 x 3/4" MOUNT sealing screws supplied and tighten to compress gasket evenly. DO NOT over tighten.

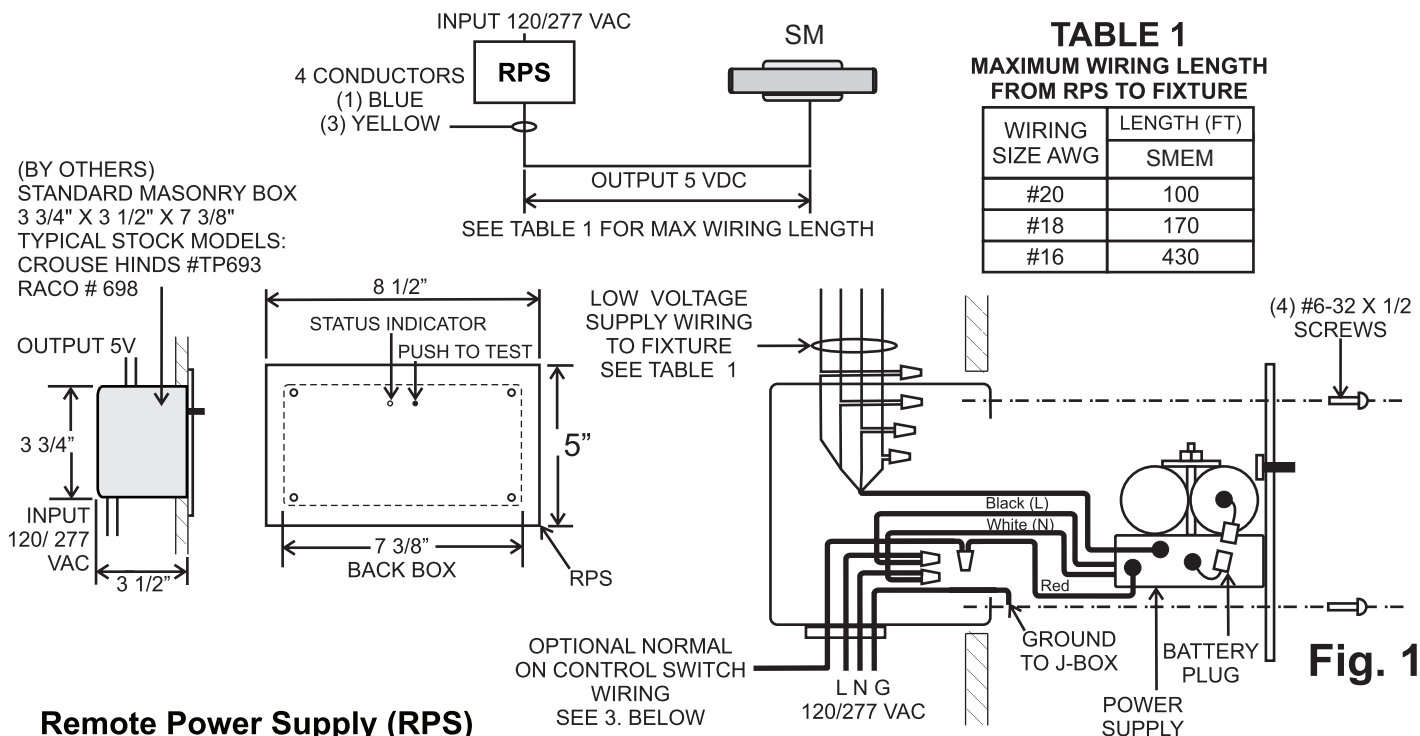
7. Place Lamp Housing Assembly over Canopy Plate and connect Lamp Plug.

NOTE: If AC power is OFF, the fixture will turn ON under battery power. To minimize battery discharge, turn AC power ON after fixture is connected.

If fixtures remains in Emergency mode after AC power is applied, depress & hold test button for one minute & release.

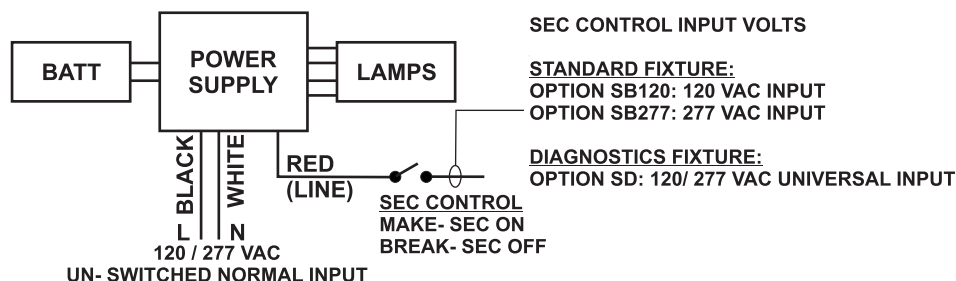
8. Insert Lamp Plug wiring sleeve through center hole in Gasket while placing Lamp Housing in position. Tighten (2) #6-32 set screws to secure in position.

9. Turn ON building AC supply and operate test switch to confirm emergency operation. Batteries require 24 hrs for full charge. Operate control switch option where supplied to confirm normally ON operation.



Remote Power Supply (RPS)

- See Fig. 1. Place power supply assembly inside housing and note available knock-outs for wiring clearance. Remove suitable K.O's in areas with clearance for wiring and connectors. Use framing or brackets to install Masonry Box housing as shown, in a location convenient for access to battery and power supply. Align top edge flange flush with finished panel surface. See Table 1 to estimate wire size required based on maximum wiring length for low voltage output wiring from RPS to the fixture.
- INPUT WIRING:** Connect BLACK/WHITE AC input wiring to building supply with wire nuts, and connect GROUND to Housing with Screw mount.
- SECURITY LIGHTING SWITCH CONTROL (OPTION -SB or SD)**



- OUTPUT LOW VOLTAGE WIRING*:** See Table 1 for minimum wire size based on distance to fixture. Example using #20 AWG, max distance is 100 ft. See Pg. 2 for detail. Route conductors from the RPS to the fixture location.
- Connect the BATTERY plug: NOTE If AC power is OFF, the fixture will turn ON under battery power. To minimize battery discharge, turn AC power ON after fixture is connected, or disconnect battery.