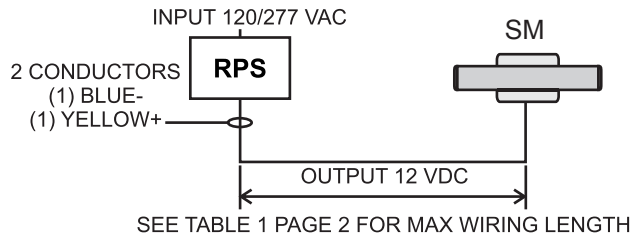
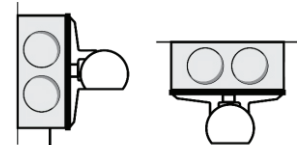
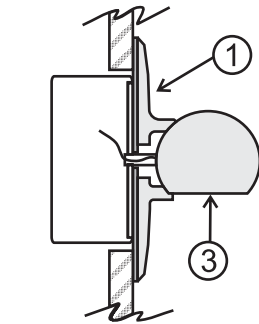
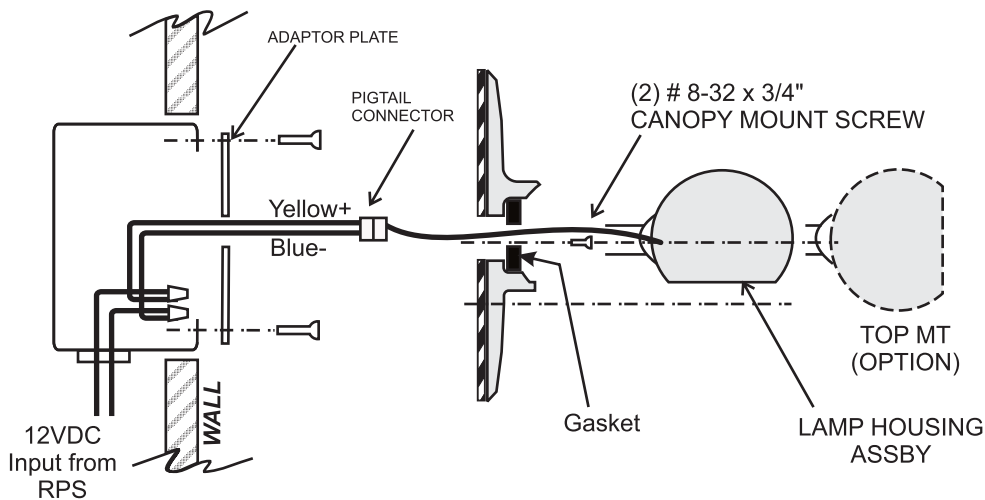


INSTALLATION INSTRUCTIONS AND OWNER'S MANUAL



ITEM	DESCRIPTION
1	CANOPY
2	BATTERY 12V 5Ah/8Ah
3	LAMP HOUSING ASSBY

SUITABLE FOR WET LOCATIONS
AMBIENT TEMPERATURE LIMITS:
 Remote models: -40° C to +50° C



Fixture Assembly

1. Install J-Box 1/8"-1/4" below finished panel surface. Connect 12VDC input circuit wiring from RPS as shown above, and connect the YELLOW+ and BLACK- leads to the pigtail connector supplied
2. Run Pigtail Connector through Adaptor Plate center hole and attach to J- box with 2 #8-32 screws.
3. Secure Canopy with two #8-32 x 3/4" MOUNT screws supplied and tighten to compress gasket evenly. DO NOT over tighten.
7. Place Lamp Housing Assembly over Canopy Plate and connect Lamp Plug.
8. Insert Lamp Plug wiring through center hole in Gasket while placing Lamp Housing in position. Tighten (2) #6-32 set screws to secure in position.
9. Turn ON building AC supply to RPS and operate test switch to confirm emergency operation. Batteries require 24 hrs for full charge. Operate control switch option where supplied to confirm normally ON operation.

IMPORTANT SAFEGUARDS READ AND FOLLOW ALL SAFETY INSTRUCTIONS

1. Disconnect AC power before servicing.
2. Refer to wiring diagram for proper connections.
3. All servicing should be performed by qualified personnel.
4. Consult your local building code for approved wiring and installation.
5. Do not use this equipment for other than intended use.
6. Do not let power cords touch hot surfaces.
7. Mount and secure the fixture at a location and height to avoid ready access and tampering by unauthorized persons.
8. The use of accessory equipment is not recommended by the manufacturer and may cause an unsafe condition.
9. Suitable for wet locations. See product label for temperature limitations.

SAVE THESE INSTRUCTIONS

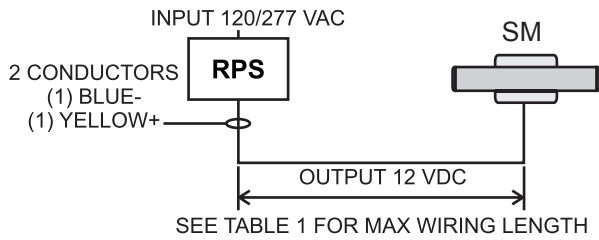


TABLE 1
MAXIMUM WIRING LENGTH
FROM RPS TO FIXTURE

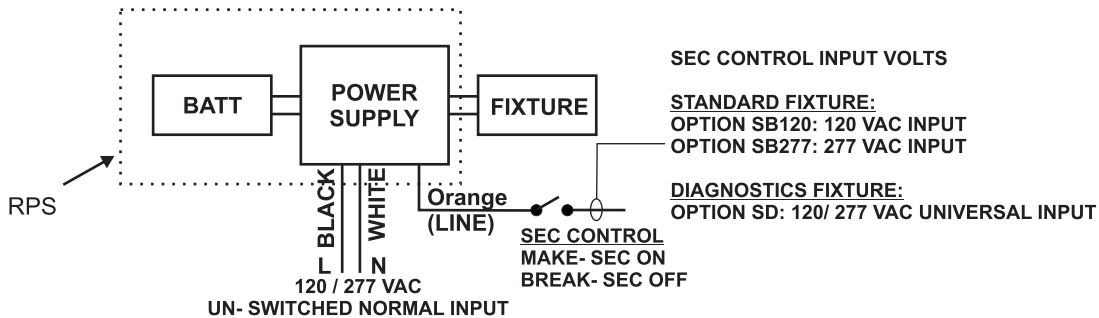
WIRING SIZE AWG	LENGTH (FT)
	SMEM20
#22	25
#20	40
#18	60
#16	100
#14	160
#12	250

Remote Power Supply (RPS)

1. See Fig. 1. Place power supply assembly inside housing and note available knock-outs for wiring clearance. Remove suitable K.O's in areas with clearance for wiring and connectors. Use framing or brackets to install RPS housing as shown, in a location convenient for access to battery and power supply. Align top edge flange flush with finished panel surface. See Table 1 to estimate wire size required based on maximum wiring length for low voltage output wiring from RPS to the fixture.

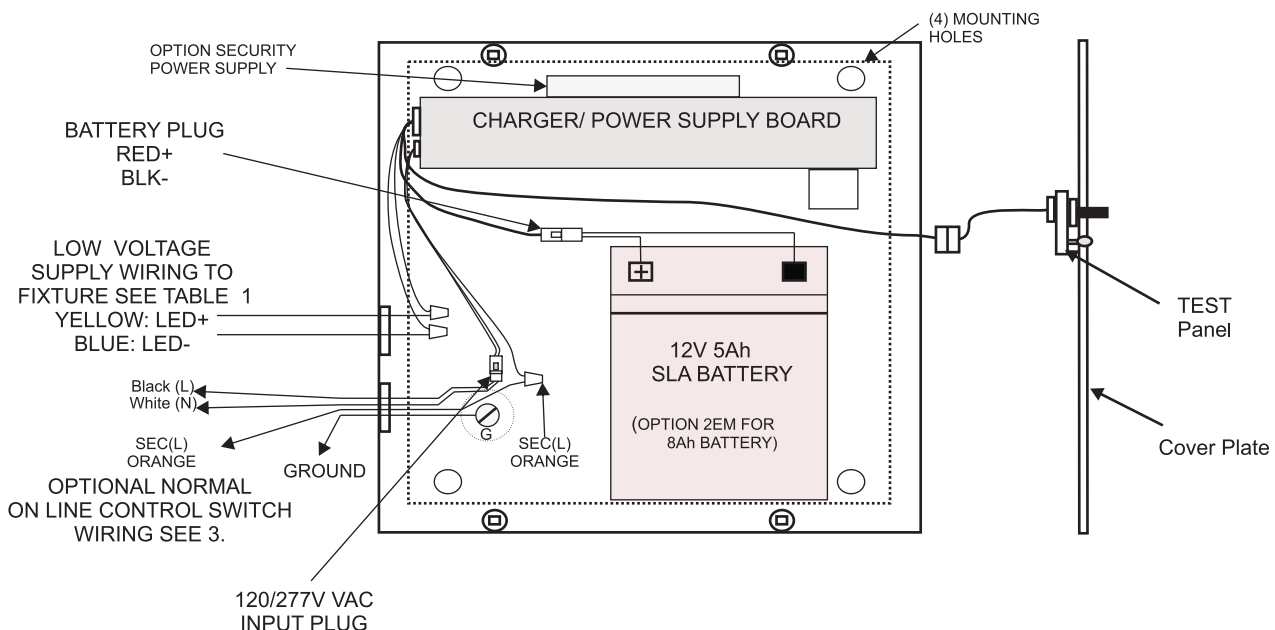
2. **INPUT WIRING:** Connect BLACK/WHITE AC input wiring to building supply with wire nuts, and connect GROUND to Housing with Screw mount.

3. SECURITY LIGHTING SWITCH CONTROL (OPTION -SB or SD)



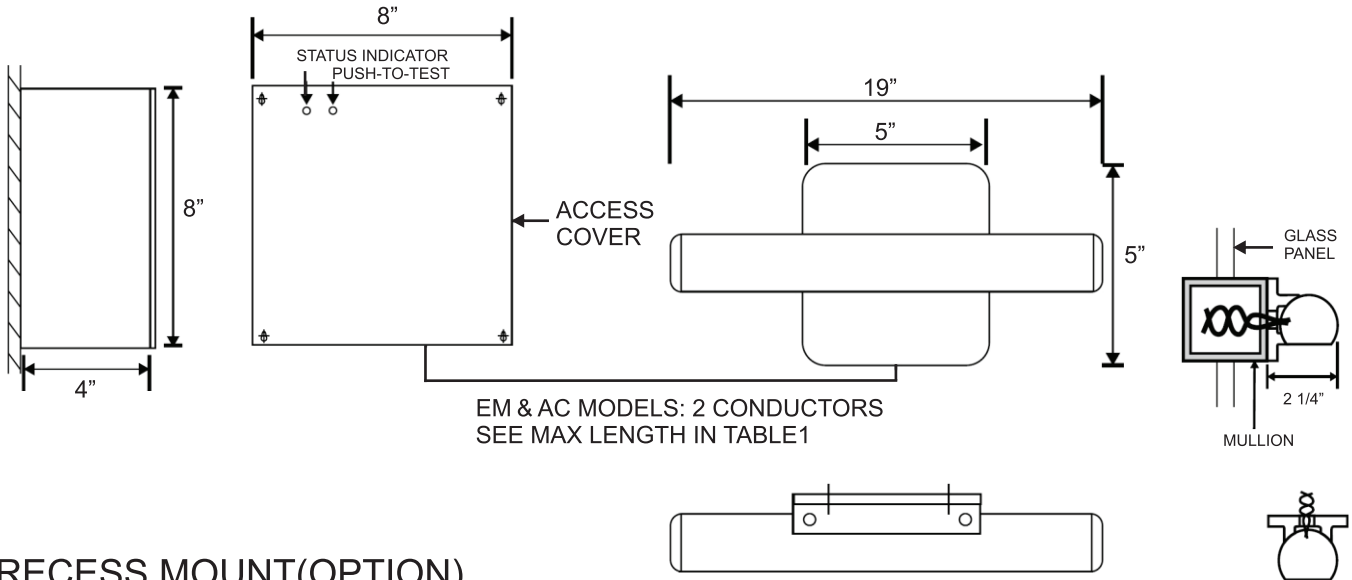
4. **OUTPUT LOW VOLTAGE WIRING*:** See Table 1 for minimum wire size based on distance to fixture. Example using #20 AWG, max distance is 40 ft. Route conductors from the RPS to the fixture location.

5. **Connect the BATTERY plug:** NOTE If AC power is OFF, the fixture will turn ON under battery power. To minimize battery discharge, turn AC power ON after fixture is connected, or disconnect battery.

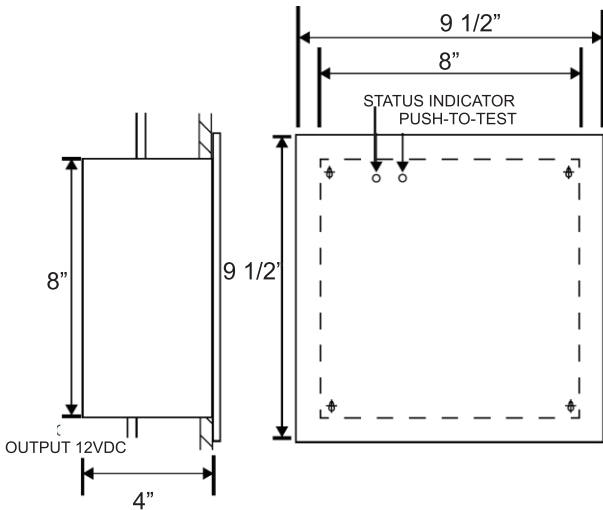


MOUNTING DATA:

SURFACE MOUNT



RECESS MOUNT(OPTION)



TOP MOUNT

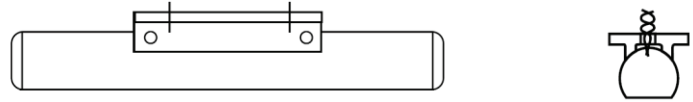


TABLE 1

WIRING SIZE AWG	LENGTH (FT)
	SMEM20
#22	25
#20	40
#18	60
#16	100
#14	160
#12	250

**Self-test Diagnostic Functions
(EM models)**

STATUS	LED DISPLAY
Normal Full Charge	● GREEN ON
Normal Fast Charge	● ORANGE ON
Failed Battery	●● RED FLASH FAST
Failed Lamp	●● GREEN FLASH
Failed Transfer	●● ORANGE FLASH
Failed Charger	●● RED FLASH SLOW