

PROJECT NAME:	APPROVED BY:
CATALOG NO:	TYPE NO:

## APERION APL2

### Architectural Recessed Emergency Light

*APERION LED - Everything You Look For In An Emergency Light... And Less.*

Now available with high performance LED's in a compact concealed emergency light. Super bright LED's matched with a custom refractive lens optimizes light distribution and uniformity along the path of egress.

Long life solid state LED's together with the included Self-Test, Self-Diagnostics ensures maintenance free reliability. Also available as remote only for AC operation.

#### Construction

- Rotating door is just 4" square
- Unique non-contact magnetic door positioning ensures accurate and reliable opening and closing
- Patented unidirectional deflecting drive band operation provides limited mechanical movement ensuring trouble free operation
- Quality die-cast zinc frame and door, finished in durable textured white powder coat. Can be field painted or wall papered to further blend with the architecture
- Universal, wall or ceiling mount, compact 3" deep, 20 ga. steel recessed housing.
- Type IC listed, ideal for wall and plenum applications
- Fully adjustable mounting hardware suits virtually all mounting applications
- Soft-close door prevents early lamp failure and movement due to slamming
- Self-adjusting frame trim and door assembly are spring latched with no unsightly external mounting hardware
- Damp location listed as standard for 10°C to 40°C
- Modular assembly and quick connector wiring provide for fast installation and ease of maintenance

#### Electrical

- AC only units were designed to be used with central power systems (inverters, generators, etc.) 120 or 277 VAC field selectable input
- AC only units can be configured to operate on presence of emergency power or with a switched signal



- Environmentally friendly, maintenance free Nickel Metal Hydride batteries provide UL 924 90 minute run time
- Solid state microprocessor controlled circuitry also includes line latch, brownout protection and reverse polarity protection
- Self-Test/Self-Diagnostics is standard, ensuring reliability and code conformance
- Optional hand-held remote transmitter available to run discharge testing for 30 seconds or 90 minutes from up to 50' away
- Field selectable 120 or 277 VAC 60 Hz input. (Consult factory for other input voltages)



US Patent #7,654,710

#### Illumination

- Three 3-watt white LEDs provide 561 absolute lumens on an adjustable light-bar providing up to 55' spacing on center
- Custom designed refractor lens provides optimum light distribution
- LED color temperature is 5000k
- Soft-start lamp circuit ensures optimum lamp life
- Bright white LED lamps provide uniform illumination, long lamp life, and reliability

#### Certification

- CSA Canadian Listed and meets CSA 22.2 No. 141-10
- New York City Approved Calendar #48850
- Tested, approved and listed by Underwriters Laboratories Inc. to UL 924, meets NFPA 101 Life Safety Code, NFPA 70- NEC, and OSHA requirements
- California Title 20 compliant
- Buy American Act compliant



#### Warranty

- 5 Year Limited Warranty - view complete warranty terms online at [www.evenlite.com/warranty/terms.pdf](http://www.evenlite.com/warranty/terms.pdf)

Example: APL2-WH-UI

#### ORDERING GUIDE – APL2

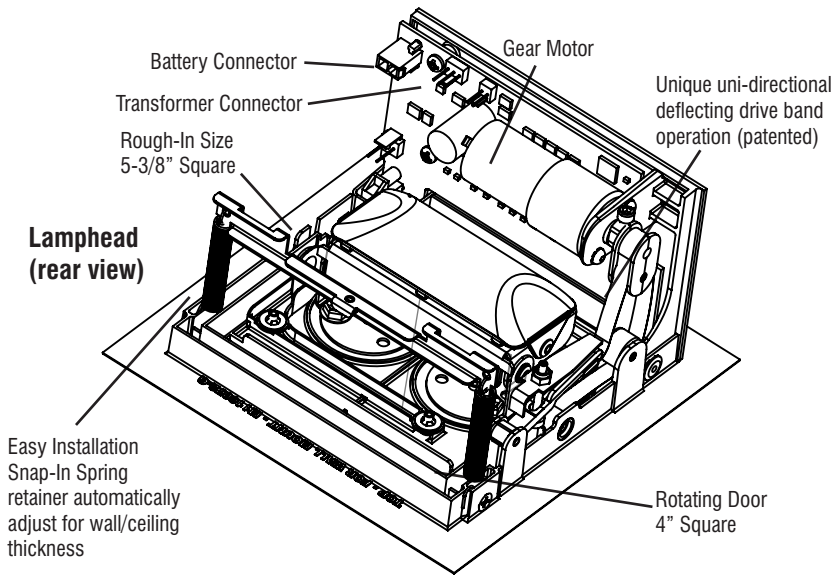
Model	Housing Color	Mounting	Options
<b>APL2</b> Aperion Recessed Emergency Light	<b>WH</b> White Standard	<b>UI</b> Backbox and Fixture shipped complete	<b>CP</b> Chicago Plenum Listed
<b>APL-AC</b> 120 or 277 vac model (without battery) for use with central power systems or general remote use only	<b>BK</b> Black to order <b>CC</b> Custom Color	<b>UP</b> Back box pre-shipped	<b>DD</b> Defeat Monthly Self-Test <b>TD</b> 15 Minute Retransfer Delay <b>TLRT</b> Infrared Remote Testing Transmitter (order separately, typically only 1 or 2 are required per site)
<b>APL2</b>			

Fill in fields from categories above and complete type and part number.

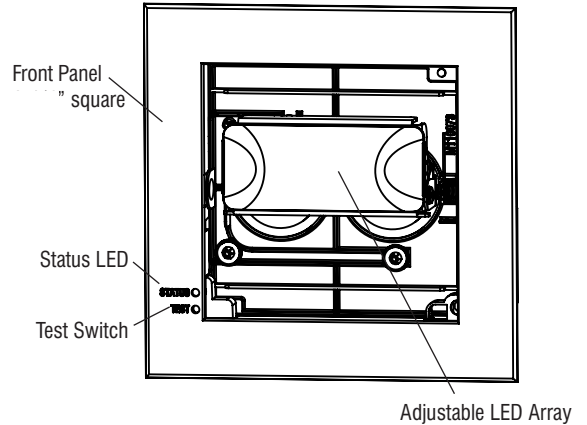
Type Number:

Full Part Number:

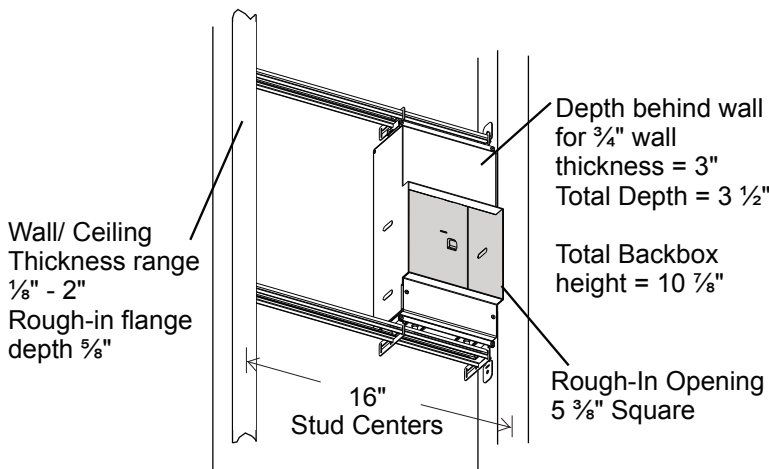
# Aperion LED Emergency Lighting



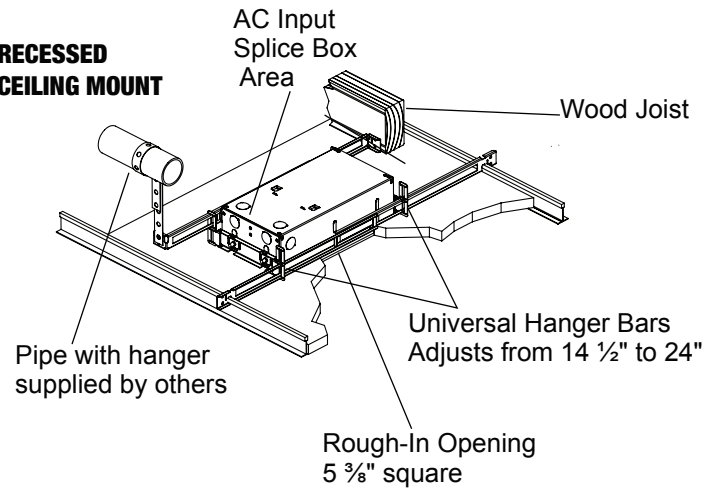
**Installed view (Emergency Mode)**



## RECESSED WALL MOUNT



## RECESSED CEILING MOUNT



TLRT - Infrared Remote Testing Transmitter

Model		Watts	Amps
APL2	120VAC	10	0.1
	277VAC	10	0.1
APL2-AC	(BACKUP input)	120VAC	0.2
		277VAC	0.1
	(UTIL input)	120VAC	0.1
		277VAC	0.1