

PROJECT NAME:	APPROVED BY:	
CATALOG NO:	TYPE NO:	

DÉCOR DESIGNER DR

Recessed LED Emergency Unit

The Décor Designer DR series provides an injection-molded, engineering grade thermoplastic housing, compatible with drop ceiling mount installations. The internal solid-state transfer switch automatically connects the internal battery to lamp heads for minimum 90-minute emergency illumination.

Construction

- Recessed mount includes hanger bars
- Compatible with drop ceiling mount installations
- Injection-molded, engineering grade, 5VA flame-retardant, impact-resistant, thermoplastic housing in white or black finish
- Thermoplastic Oval and Rectangle trim plates in white or black finish included

Electrical

- Dual 120/277 voltage
- Charge rate/power "ON" LED indicator light and push-to-test switch for mandated code compliance testing
- 4.8V maintenance-free, rechargeable Ni-MH battery
- Internal solid-state transfer switch automatically connects the internal battery to lamp heads for minimum 90-minute emergency illumination
- Self-diagnostic feature performs monthly, bi-annual, and annual tests to ensure reliable operation and meet electrical and life safety codes
- Fully automatic solid-state, two rate charger recharges discharged batteries within 24 hours

Illumination

- Long lasting, efficient, ultra-bright white LED lamp heads
- 4 Watts (4 X 1W LED Lamp Heads)
- Unique all-inclusive lamp, reflector and lens assembly
- Adjustable LED lamp heads provide up to 50-ft center-to-center spacing



Certification

- Meets UL924, NFPA 101 Life Safety Code, NEC, OSHA, Local and State Codes
- UL Listed for damp locations (0°C–50°C)



Warranty

- Five year warranty on electronics and housing
- One year full, four year prorated on battery

ORDERING GUIDE – DR

Example: DR-W-SD

Model	Housing Color	Options
DR	W White B Black	SD Self-Test /Self-diagnostic
DR		

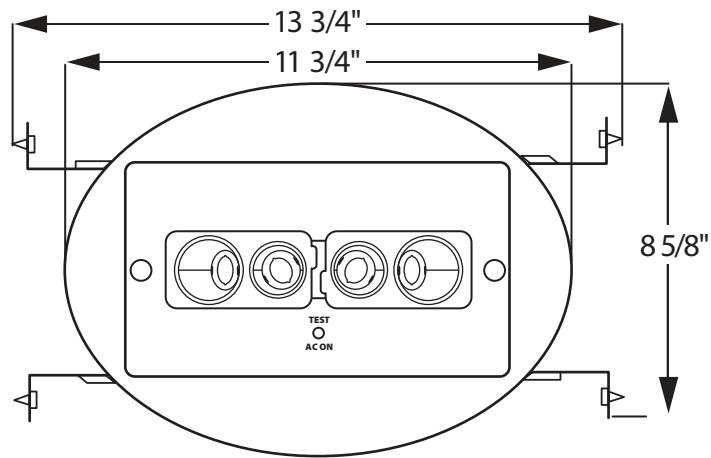
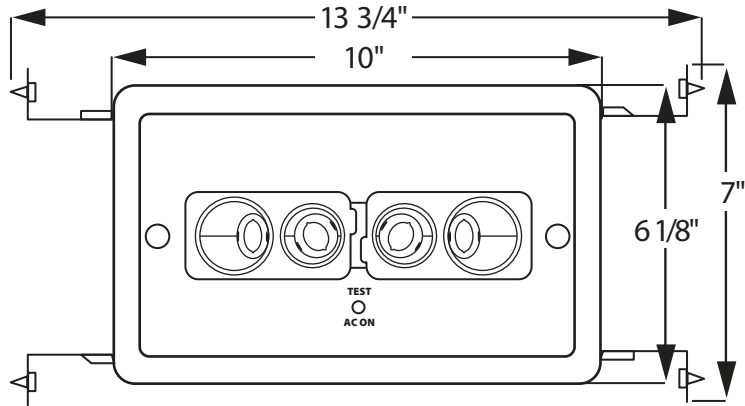
Fill in fields from categories above and complete type and part number.

Type Number:

Full Part Number:

DÉCOR DESIGNER DR - Recessed LED Emergency Unit

Dimensions



Model	Mount Height (ft)	3FT Width Egress Path		6FT Width Egress Path	
		Single Fixture (ft)	Fixture to Fixture (ft)	Single Fixture (ft)	Fixture to Fixture (ft)
DR	10	50	50	40	43
	12	50	50	40	43
	15	40	42	30	38

