

PROJECT NAME:	APPROVED BY:
CATALOG NO:	TYPE NO:

DÉCOR DESIGNER MM

Mullion Mount Outdoor Emergency Egress Lighting

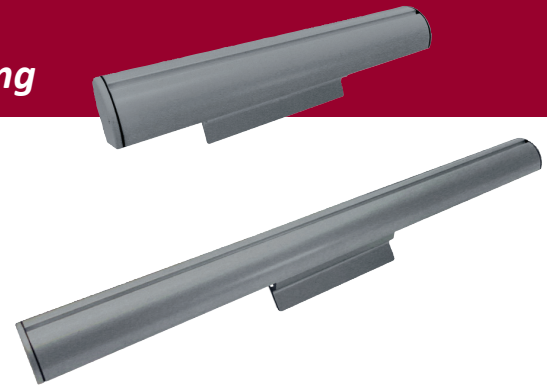
Linear LED outdoor egress with both emergency lighting and night lighting function. The MM series is designed to mount directly on mullion frames used in typical glass panel entrance structures, with vertical mounting surface as small as 2". High efficiency LEDs and full 90° cut-off provide uniform emergency and night lighting on the extended egress pathway. All models are outdoor rated, UL wet location, ADA compliant, and exceed requirements of UL Standard 924 and NFPA 101. Designed and manufactured in the USA, complies with Buy American requirements.

Construction

- Extruded aluminum lamp housing 2" diameter, with gasketed mount bracket only 2 1/2" height that includes a waterproof compression seal for universal wall or top mount
- Available models include:
 - EM and AC: Single fixtures powered from a Remote Power Supply
 - AC: 120/277 VAC input, with or without battery
- Wet location listed, UL924 and certified IP66
- Gasketed, molded end caps and Sealed acrylic lens
- Stainless steel hardware

Electrical

- Self-Test/Self-Diagnostic operation is optional for EM models with the Remote Power Supply
- Line latch circuit prevents unwanted emergency activation at installation
- 10W NiCad battery standard
- 20W SLA battery standard, optional NiCad battery available



- Dual function available for emergency or normally -on operation
- EM Models provided with AC indicator and push to test switch

Illumination

- Over 50,000 hour lamp life in normal use
- Lamps connected in parallel assure continued illumination, meeting NEC and NFPA requirements
- LED Color temperature standard 5000K; Optional outputs available 2900K, 3200K, 3800K
- 10W 1,000 Lumens
- 20W 2,000 Lumens

Certification

- Manufactured and tested to UL Standard 924, NFPA Life Safety Code 101, and certified to IP66
- Standard Operating Temperature
 - EM: -20° C to 40° C (-4° F to 104° F)
 - AC: -20° C to 40° C (-4° F to 104° F)



Warranty

- Five year limited warranty

ORDERING GUIDE – MM

Example: MM-EM-10-WH-T-SD

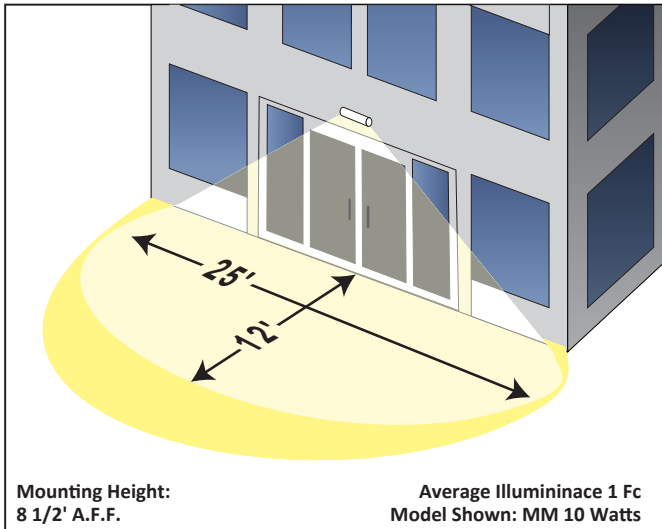
Model	Operation	Power	Housing Color	Mounting	Options
MM	EM Battery backup (includes RPS)	10 10 Watts emergency and normal on power	WH White	T Top	SD Self-test diagnostics (EM Models only) NL Night Lighting Control Switch for model with SD option (120/277VAC) SB120 Night Lighting Control Switch for standard EM models (120VAC) SB277 Night Lighting Control Switch for standard EM models (277VAC) CW1 Color Temp. - 3800K CW2 Color Temp. - 3200K CW3 Color Temp. - 2900K DKV1 Two Circuit Input 120VAC DKV1 Two Circuit Input 277VAC 2HT 2" Mount Bracket height 5HT 5" Mount Bracket height NC20 NiCad Battery for 20 Watt Model
	AC No battery (includes RPS)	20 20 Watts emergency and normal on power	SL Silver BZ Bronze BK Black	W Wall	
MM					

Fill in fields from categories above and complete type and part number.

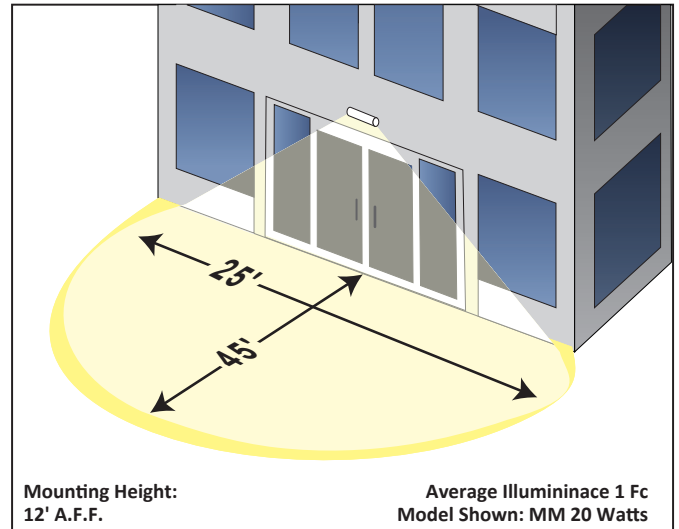
Type Number:

Full Part Number:

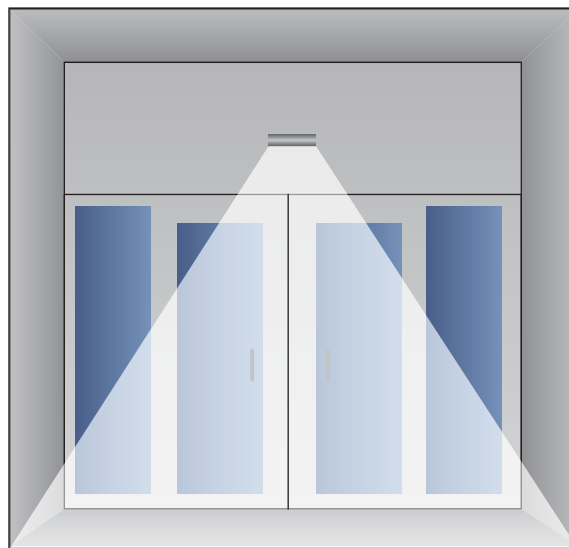
Mullion Mount Outdoor Emergency Egress Lighting



NOTE: For reference only. Standard reflectances 80/50/20. Evenlite is not responsible for specific conditions that may alter the results.



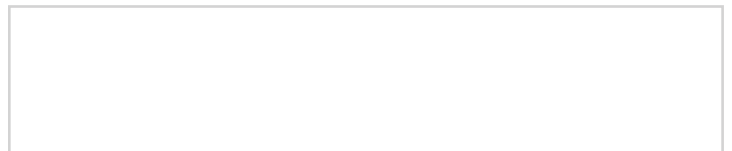
NOTE: For reference only. Standard reflectances 80/50/20. Evenlite is not responsible for specific conditions that may alter the results.



Self-Test Diagnostic Functions

EM Models

STATUS	LED DISPLAY
NORMAL FULL CHARGE	● GREEN ON
NORMAL FAST CHARGE	● ORANGE ON
FAILED BATTERY	●● RED FLASH FAST
FAILED LAMP	●● GREEN FLASH
FAILED TRANSFER	●● ORANGE FLASH
FAILED CHARGER	●● RED FLASH SLOW



Mullion Mount Outdoor Emergency Egress Lighting

Specifications

Fixtures: Supply and install the Décor LED Series Mullion Mount or Series MM Wall Mount emergency lighting fixture. The fixture shall be listed for installation in wet locations in compliance with UL 924 and IP66 standards and shall be capable of operating either from Utility power at 120/277VAC, remote power supply Series RPS. Upon loss of AC building power, emergency models shall operate for a minimum of 90 minutes in compliance with UL Standard 924 and NFPA LSC 101.

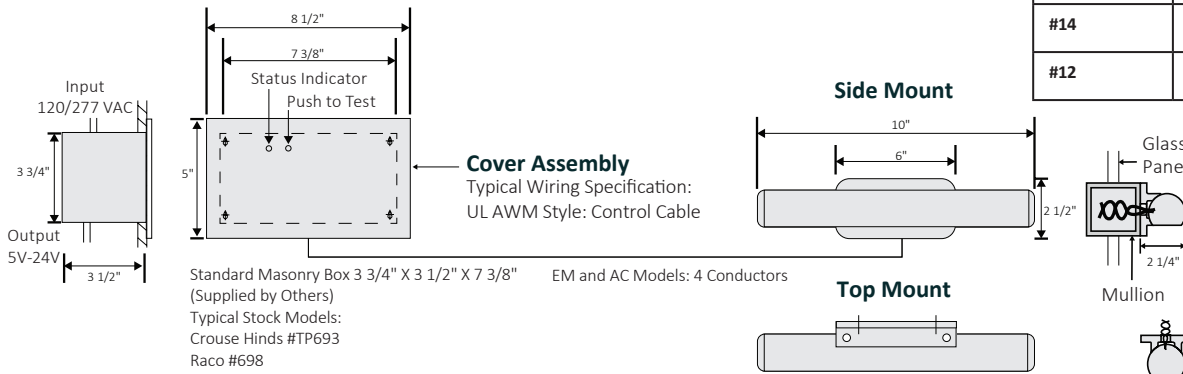
RPS: Supply and install the remote power supply Series RPS. The RPS will be capable of operating the Décor LED® emergency fixture, and shall be available with either a SLA or NiCad battery with charger having universal 120/277 VAC input, to supply emergency lighting power for a minimum of 90 minutes in compliance with UL Standard 924 and NFPA LSC 101, or as a power supply without battery. The RPS shall also be capable of operating LED fixtures on or continuous mode, from 120/277VAC power input.

Max. wiring length from RPS to fixture

Wiring Size AWG	Length	Length(FT)
	MM10	MM20
#22	NA	20
#20	12	40
#18	25	60
#16	50	100
#14	75	160
#12	125	250

Mounting Data

Remote Power Supply (RPS)
10 Watt AC & EM Models



Remote Power Supply (RPS)
20 Watt AC & EM Models

