

| | |
|---------------|--------------|
| PROJECT NAME: | APPROVED BY: |
| CATALOG NO: | TYPE NO: |

DÉCOR DESIGNER SM - ARCHITECTURAL EMERGENCY LIGHT

LED Outdoor Egress Emergency Light with Night Lighting Option

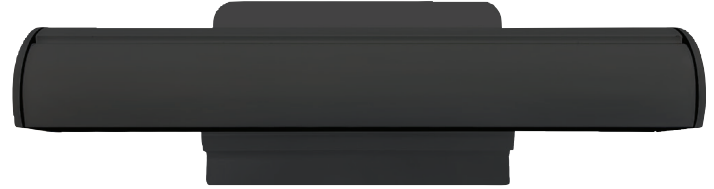
A dramatic new and compact architectural design, providing powerful emergency and normal lighting for over-door and other exterior locations, with full 90° cut-off. The lamp housing and canopy are fabricated from extruded aluminum, in enamel or anodized finishes, with rugged sealed diffuser lens and stainless hardware, for wall or ceiling mount.

Construction

- Extremely low profile, formed aluminum housing. Standard finish is white satin paint; custom colors are available, including brushed aluminum anodized finishes
- Emergency lighting with optional dual function operation for night or security lighting
- Wet location listed, UL924 and certified IP66
- Uniform elongated lighting pattern over required path of Egress
- Full 90° cut-off
- Offered in AC only or EM battery backup models, 120/277VAC

Electrical

- Very low power consumption in optional night/security mode. The security lighting circuit is independent of emergency lighting and may be switched manually, by an exterior photocell, or other automatic means.
- Lamps are connected in parallel. If one lamp fails, one or more lamps will continue in operation
- Universal 120/277 VAC input for standard battery or AC unit
- Power supply delivers regulated current and voltage to LED lamps at optimum levels to maximize lamp life
- Automatic battery diagnostics available for all battery Models



Illumination

- Over 50,000 hour lamp life in normal use
- Lamps connected in parallel assure continued illumination, meeting NEC and NFPA requirements
- LED color temperature standard 5300K; Optional outputs available 2900K, 3200K, 3800K
- Lumen output 494 initial Lumens, 46 Lumens per watt

Certification

- Manufactured and tested to UL Standard 924 and NFPA Life Safety Code 101
- Rated IP 66: suitable for wet locations
- Ambient temperature limits:
Standard "EM" models: -20° C to +40° C
Remote models: -40° C to +50° C

** NOTE Security Lighting is REQUIRED for operations at -40° C. Fixtures will operate when ambient drop below -20° C.



Warranty

- Five year limited warranty

ORDERING GUIDE – SM

Example: SM-EM-10-W-T-SD

| Model | Operation | Power | Housing Color | Mounting | Options |
|-------|---|--|--|-----------------|---|
| SM | EM Battery backup (includes RPS) AC AC Supply 120/277V | 10 10 Watts emergency and normal on power 20 20 Watts emergency and normal on power | WH White SL Silver BZ Bronze BK Black | T Top W Wall | SD Self-test diagnostics (EM Models only) NL Night Lighting Control Switch for model with SD option(120/277VAC) SB120 Night Lighting Control Switch for standard EM models (120VAC) SB277 Night Lighting Control Switch for standard EM models (277VAC) CW1 Color Temp. - 3800K CW2 Color Temp. - 3200K CW3 Color Temp. - 2900K DKV1 Two Circuit Input 120VAC DKV1 Two Circuit Input 277VAC LT Low Temp Operation -40° C* *Requires RPS |
| SM | | | | | |

Fill in fields from categories above and complete type and part number.

Type Number:

Full Part Number:

LED Outdoor Egress Emergency with Night Lighting Option

Specifications

Install SM architectural emergency lighting fixture. The SM assembly shall be listed for installation in wet locations in compliance with UL 924 and IP66 standards, available as unit equipment or as a remote connected to a central battery power source. Upon loss of AC building power, lighting will be activated for a minimum of 90 minutes under battery power, in compliance with UL 924 and NFPA LSC Code 101. In remote configuration, the unit may be specified to operate continuously for security or night lighting, as required. The battery charger and power supply shall have universal input of 120/277 VAC, with brownout and LVD circuit protection. Auto battery diagnostics shall be available for all models and shall perform all test functions specified by UL 924 and NFPA 101.

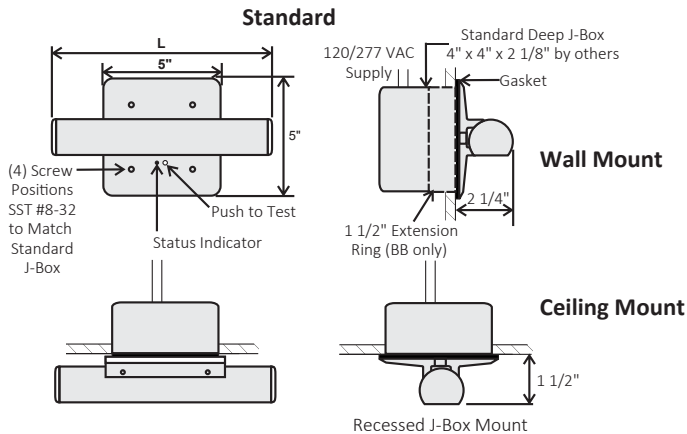
Mounting Data

Length Table

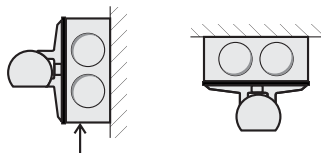
| Power | L |
|-----------|-----|
| 10 Watts | 10' |
| 20 Watts* | 20' |

*AC Model Only

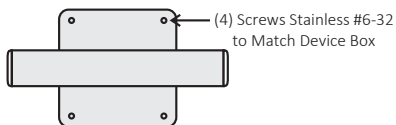
| EM Watts | Power - Watts |
|----------|---------------|
| 10 | 10 |



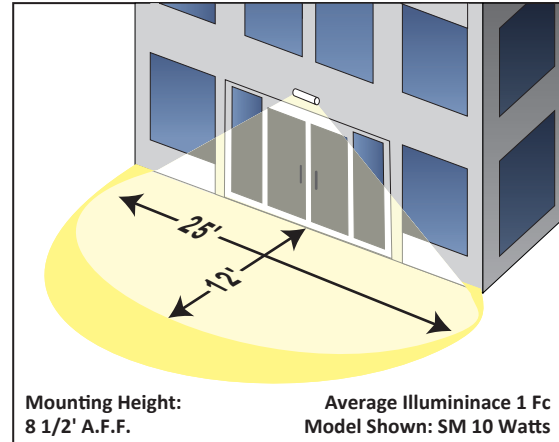
Surface Mount-Fitted



Two-Gang Fixture Box:
Die Cast Aluminum 2" Deep 28 Cubic In.
(Supplied by others)
Example: BELL #5346-0 or Equal



Spacing Guide



NOTE: For reference only. Standard reflectances 80/50/20.

Security Lighting Control

- EM Models:** Requires Option '-SB120' for connection to 120 VAC
Requires Option '-SD277' for connection to 277 VAC
- EM-SD Models:** Requires Option '-NL' for connection to 120/ 277 VAC

Self-Test Diagnostic Functions

EM Models with SD Function

| STATUS | LED DISPLAY |
|--------------------|-------------------|
| NORMAL FULL CHARGE | ● GREEN ON |
| NORMAL FAST CHARGE | ● ORANGE ON |
| FAILED BATTERY | ●● RED FLASH FAST |
| FAILED LAMP | ●● GREEN FLASH |
| FAILED TRANSFER | ●● ORANGE FLASH |
| FAILED CHARGER | ●● RED FLASH SLOW |