

PROJECT NAME:	APPROVED BY:
CATALOG NO:	TYPE NO:

# TELESIS PI LED - Indoor Remote head

The Telesis PI LED indoor remote heads offer contemporary styling with low profile design. Offered with long lasting LED lamps and available in white or black housing.

## Construction

- Injection molded high impact thermoplastic
- 5VA flame retardant housing
- Available in white or black finish
- Mounting plate included, mounts to single-gang switch box
- Can be wall or ceiling mounted

## Electrical

- Multi-volt operation allows for 3.6, 6.0, 9.6, and 12.0 volt operation from remote DC power source (not provided)
- Distance to remote determined by wire size and total watts on circuit

## Illumination

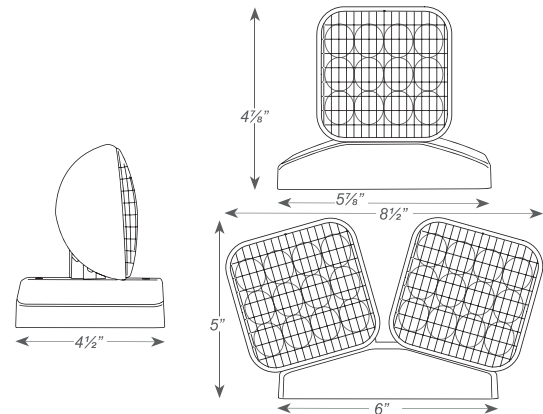
- Bright long life white LED's 5000K color temperature
- 1.0 watts per lamphead, optional HL 1.5 watts per head

## Certification

- Meets UL 924, NFPA 101 Life Safety Code, NEC, OSHA, Local and State Codes

## Warranty

- Three year limited warranty



## ORDERING GUIDE - PI

**Example:** PILED-2-MV-W

Model	Lamp Type	Number of Heads	Voltage	Color	Designator
PI	LED	1 Single Remote 2 Double Remote	MV For use with 3.6, 6.0, 9.6, and 12.0 volt units	W White B Black	SD When used with SD units
PI					

Fill in fields from categories above and complete type and part number.

Type Number:

Full Part Number: