

PROJECT NAME:	APPROVED BY:
CATALOG NO:	TYPE NO:

SNY - NEW YORK CITY EMERGENCY LIGHT

Evenlite's New York City approved SNY emergency lights are 20 gauge steel construction. Provided with two or three LED lampheads.

Construction

- Durable 20 gauge steel housing in white powder coat finish
- Universal knockout pattern on back plate for wall mount applications, top and side conduit entry

Electrical

- 120/277 vac field selectable input
- Maintenance free Nickel-Cadmium battery
- Solid state two rate charger recharges the battery in 24 hours following a 90 minute discharge
- Fully automatic solid state operation for maintenance free reliability
- Test Switch and AC present indicator light

Illumination

- Fully adjustable LED lampheads with a 3rd emergency head included
- Two or Three 3.6V 1W LED Heads

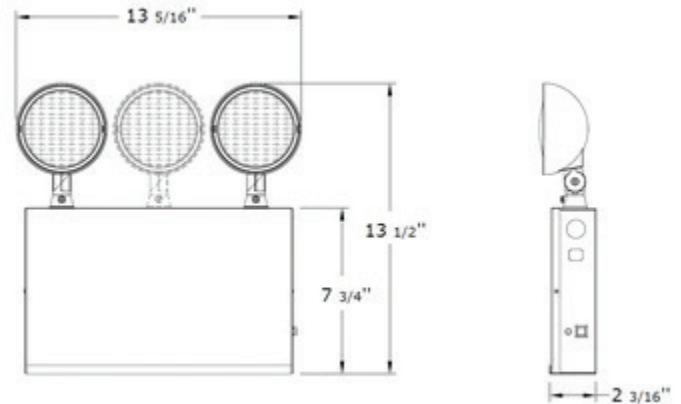
Certification

- NYC approved emergency light
- UL listed for dry locations 25° C
- Listed to UL 924, meets or exceeds NFPA 101 Life Safety Code, NEC-NFPA 70, OSHA requirements



Warranty

- Five year limited warranty on battery and electronics



ORDERING GUIDE – SNY

Example: SNY-W

Model	Operation
SNY New York City Steel Emergency Light	W White
SNY	

Fill in fields from categories above and complete type and part

Type Number:

Full Part Number:

SNY - 10/19/21