

PROJECT NAME:	APPROVED BY:
CATALOG NO:	TYPE NO:

TWPCOM - WET LOCATION THERMOPLASTIC LED EXIT/COMBO

The TWPCOM is designed for use in Wet Locations and NEMA 4X applications. Two top mounted LED heads provide the required 90 minute operation, with Self-Diagnostics and Remote Capacity included as standard. EXIT illumination is provided by long life high brightness red or green LED's to order. CEC Title 20 compliant.

Construction

- TWPCOM is constructed from high impact thermoplastic housing with a UV resistant clear polycarbonate faceplate
- Integrated gasket to ensure protection from water ingress
- Suitable for use in NEMA 4X and wet locations
- Field selectable knockout chevron directional indicators
- Sealed test switch and status indicator

Electrical

- 120/277 VAC field-selectable inputs
- UL Listed for Wet Location 10°C-40°C
- Supports PRW Multi-Volt remote heads
- Remote capacity standard 3W at 3.6VDC
- Will operate 3 single head (one watt ea.) remotes or 1 double head (two watt total) remote. Max load: 3W or can be used for longer run time with no remotes connected
- Charge rate/power "ON" LED indicator light and push-to-test switch for mandated code compliance testing
- Fully automatic solid-state, two-rate charger initiates battery charging to recharge a discharged battery in 24 hours
- 3.6V long-life, maintenance-free, rechargeable Nickel Metal Hydride battery
- Self Diagnostics, Self-Test feature is standard
- Internal solid-state transfer switch automatically connects the internal battery to LED board and LED lamp heads for minimum 90-minute emergency illumination

Illumination

- High brightness, energy efficient long-life Red or Green LED
- Bright white LED emergency lamps 1.17 Watt each

ORDERING GUIDE – TWP

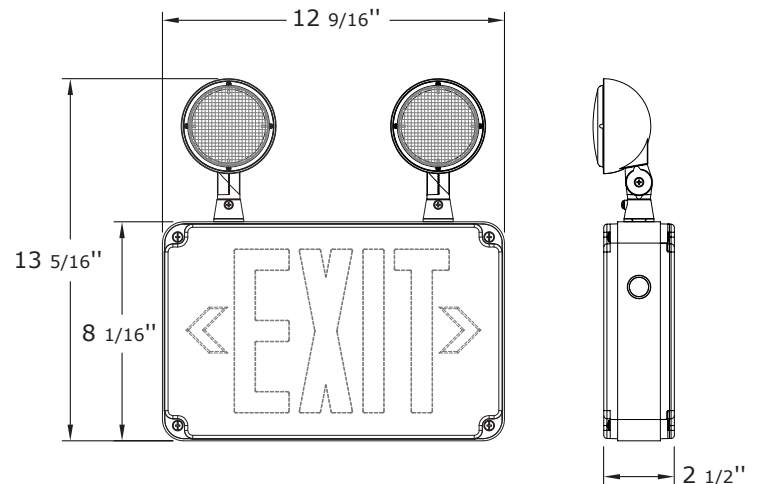
Example: TWPCOM-R-U-W

Model	Operation	Letter Color	Number of Faces	Frame Color
TWP	COM NiMh Battery Backup	R Red G Green	U Universal Single/Double Face and Back Plate	W White heads and housing
TWP				

Fill in fields from categories above and complete type and part number.

Type Number:

Full Part Number:



Certification

- UL 924 Listed for wet locations 10°C-40°C



Warranty

- 3-year limited warranty, Lampheads are not included