

PROJECT NAME:	APPROVED BY:
CATALOG NO:	TYPE NO:

WIRE GUARD - FOR EXIT SIGNS AND EMERGENCY LIGHTS

Evenlite Wireguards provide enhanced protection for emergency lighting equipment from physical damage. All are made from 18 gauge cold rolled steel and finished with a durable white baked powder coat paint for corrosion resistance. Ideal for use in gymnasiums, outdoor installations, loading docks, warehouses, schools and apartment complexes.

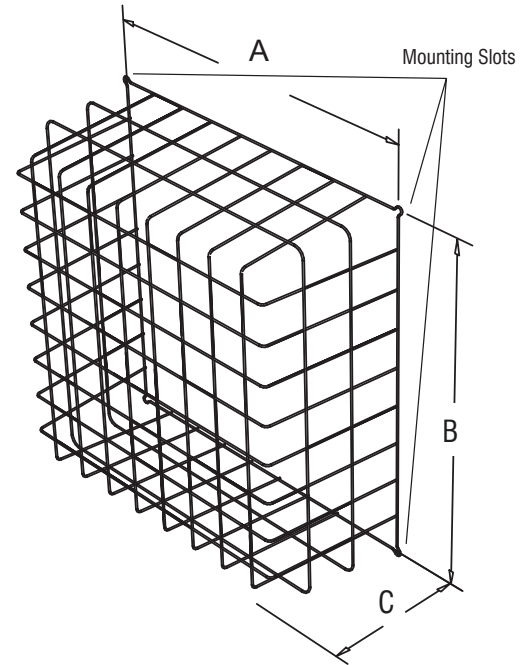
ORDERING GUIDE – WIREGUARD

Model	Application	A - Dimensions	B - Dimensions	C - Dimensions
WG-4	TCL, TCLCA, TS & TR remotes	6.0"	8.0"	6.0"
WG-5	Small Cabinet Battery Units	15.75"	14.75"	6.75"
WG-6	Medium Cabinet Battery Units	20.0"	17.0"	12.0"
WG-7	Large Cabinet Battery Units	28.0"	21.0"	10.0"
WG-8	P1 and L1 Single Remotes	8.0"	6.0"	8.0"
WG-9	P2 and L2 Double Remotes	12.0"	9.0"	9.0"
WG-70	TSCT/TSMA exit ONLY	20.0"	9.0"	2.5"
M990003	TLX, CCDS, CDI, RZR3, RCG3, LEX, LL, SL	11.0"	13.5"	6.0"
M990005	TEBL3,5,6, TCXCOM, TLP, TCS, TCSWP, TLRC	15.25"	13.5"	6.0"
M990010	RZR3, RZMR3, RCG3, CCDS, CCDMR, CDI, DCG, REC, TLX, LEX, LL, SL, SLV, TS	16.0"	11.0"	3.0"
<i>Note: M990003, M990005 and M990010 are not powder coated</i>				

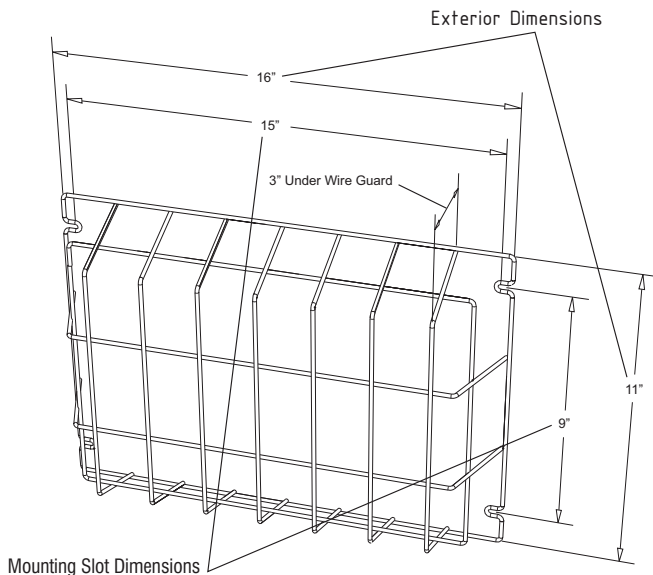
Fill in fields from categories above and complete type and part number.

Type Number:

Full Part Number:



Note: Not all wire guards are exactly as shown in the illustration



M990010 Wire Guard

- TLX
- CCDS
- RZR3, RZMR3 and RCG3
- CCDMR and CDMR
- LEX and LL
- SL, SLV, REC
- Sentry Custom Graphic
- CDI

Consult Evenlite for applications not shown here or other special applications



M990003 Wire Guard

- TLX
- CCDS
- RZR3 and RCG3
- LEX and LL
- CDI

This Heavy Duty 3 gauge wire guard is ideal for high abuse areas such as gymnasiums.

13.5"H X 11"W X 6"D