

PROJECT NAME:	APPROVED BY:	
CATALOG NO:	TYPE NO:	

XCHCOM - STEEL LED EXIT & EMERGENCY COMBO

Chicago Approved Exit Sign

Evenlite's exit sign and emergency combination is constructed of 20 gauge steel and meets the City of Chicago exit sign requirements.

Construction

- Single or double face configuration
- Universal K/O pattern on back plate for wall mount
- Durable 20-gauge steel construction
- White

Electrical

- Dual 120/277 voltage standard
- Charge rate/power "ON" LED indicator light and push-to-test switch for mandated code compliance testing
- Maintenance-free Nickel Cadmium battery
- Internal solid-state transfer switch automatically connects the internal battery to LED board and LED lamp heads for minimum 120 minute emergency illumination
- Fully automatic solid-state, two rate charger initiates battery charging to recharge a discharged battery in 24 hours

Illumination

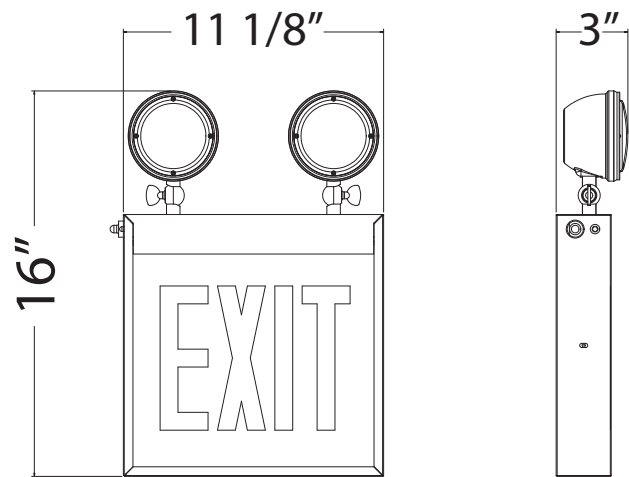
- Long lasting, energy efficient white LED exit sign illumination
- Two 3.6VDC 1.84W white LED lamp heads provide 349 Lumens

Certification

- Meets UL924, NFPA 101 Life Safety Code, NEC, OSHA, Local and State Codes
- UL Listed for damp locations (20°C – 50°C)

Warranty

- Five year warranty on all electronics and housing
- Battery pro rated for two years



ORDERING GUIDE – XCHCOM

Example: XCHCOM-R-1-WH-3

Model	Letter Color	Number of Faces	Housing Color	Single Face Legend Code	Double Face Legend Code
XCHCOM	R Red	1 Single Face 2 Double Face	WH White (Standard)	3 Exit (No Arrow) 6* Exit (Right Arrow) 9* Exit (left arrow) 12 Exit (double arrow) 2 Stairs (no arrow) 5* Stairs (Right Arrow) 8* Stairs (Left Arrow) 11 Stairs (Double Arrow) * Single Face Only	18 Exit (No Arrow) 21** Exit (Right/Left Arrow) 24 Exit (Double Arrow) 17 Stairs (No Arrow) 20** Stairs (Right/Left Arrow) 23 Stairs (Double Arrow) ** Double Face Only
XCHCOM					

Fill in fields from categories above and complete type and part

Type Number:

Full Part Number: