

PROJECT NAME:	APPROVED BY:
CATALOG NO:	TYPE NO:

PHOENIX PRO LED - OUTDOOR REMOTE HEAD

The Phoenix Remote Outdoor PRO LED Lampheads are suitable for wet locations and NEMA 4X applications. Offered with long lasting LED lamps and available in Gray or Black housings.

Construction

- Impact resistant polycarbonate housing
- Sealed and gasketed, available in Gray or Black finish
- Fully adjustable PAR36 Style glare free lampheads with complete lamp, reflector and lens assembly
- Mounting plate included, mounts to single-gang switch box
- Can be wall or ceiling mounted

Electrical

- Multi-volt operation allows for 5-15 volt operation from remote DC power source (not provided)
- Distance to remote determined by wire size and total watts on circuit

Illumination

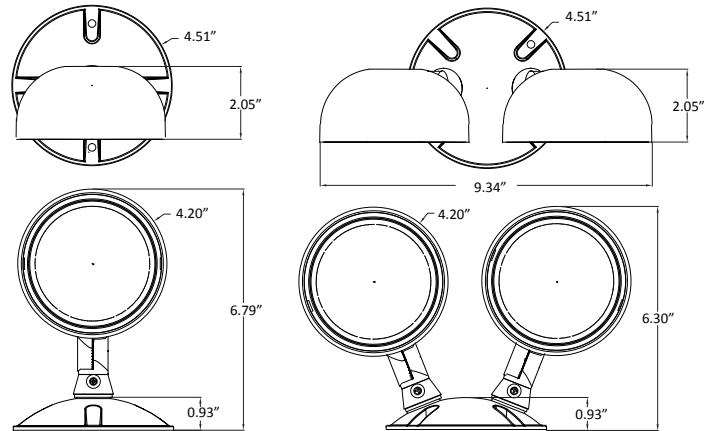
- Bright long life white LED's 5000K color temperature
- 6.0 Watts per lamphead with 12-LED's provides 650 initial Lumens
- Up to 100' center spacing with a 6-foot path of egress at a 15-foot mounting height

Certification

- UL Listed for wet locations -30°C to 50°C
- Meets UL 924, NFPA 101 Life Safety Code, NEC, OSHA, Local and State Codes

Warranty

- Five year limited warranty



ORDERING GUIDE – PRO

Example: PRO-LED-2-MV-B

Model	Lamp Type	Number of Heads	Voltage	Color	Unit Compatibility
PRO	LED	1 Single Remote 2 Double Remote	MV For use with 6 and 12 volt units	BLANK Grey B Black	6 and 12 volt emergency lights
PRO					

Fill in fields from categories above and complete type and part number.

Type Number:

Full Part Number:

PRO - 7/31/24